

## Installation Manual

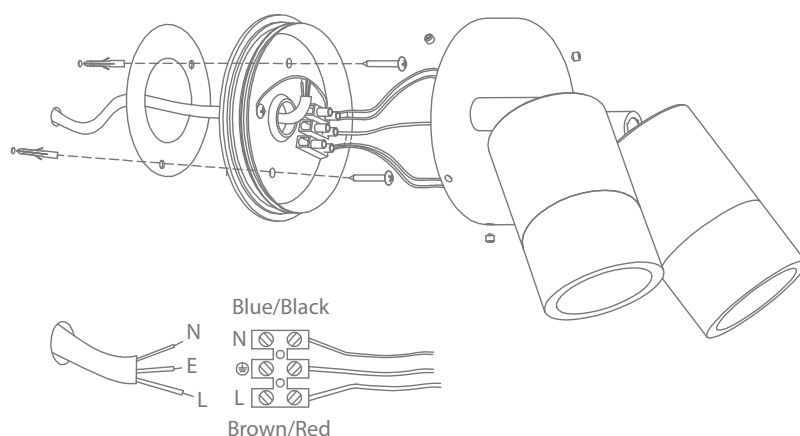
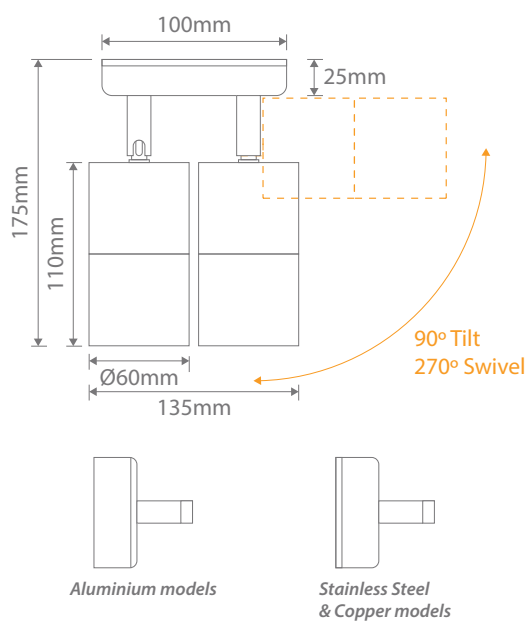
### SHADOW-2-ADJ

Description: Twin light, adjustable wall light

Thank you for purchasing your new SHADOW-2-ADJ, Please take the time to read and understand the instruction sheet below. Failure to do so may void warranty.

### Specifications

Voltage:	240V	Power:	2x35W Max	Tilt & Swivel:	90° & 270°
Lamp:	GU10	IP Rating:	65		



**Note:**

- The lamp must be installed by professional electrician
- Ensure the power supply is switched off before fitting this product

- Do not touch the lamp when in use
- Keep away from hot steam and corrosive gas